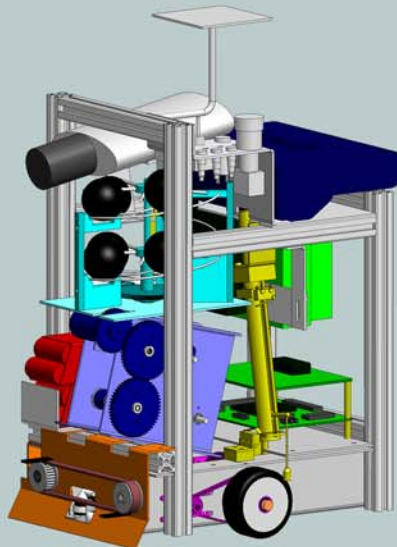


Perception :
One camera and various optical and infrared sensors detect the bridge, skittles and others obstacles.

Ball shooting :
A carousel can keep 8 squash balls in it and feeds them one by one to a belted-gun which throws them 2 meters ahead.

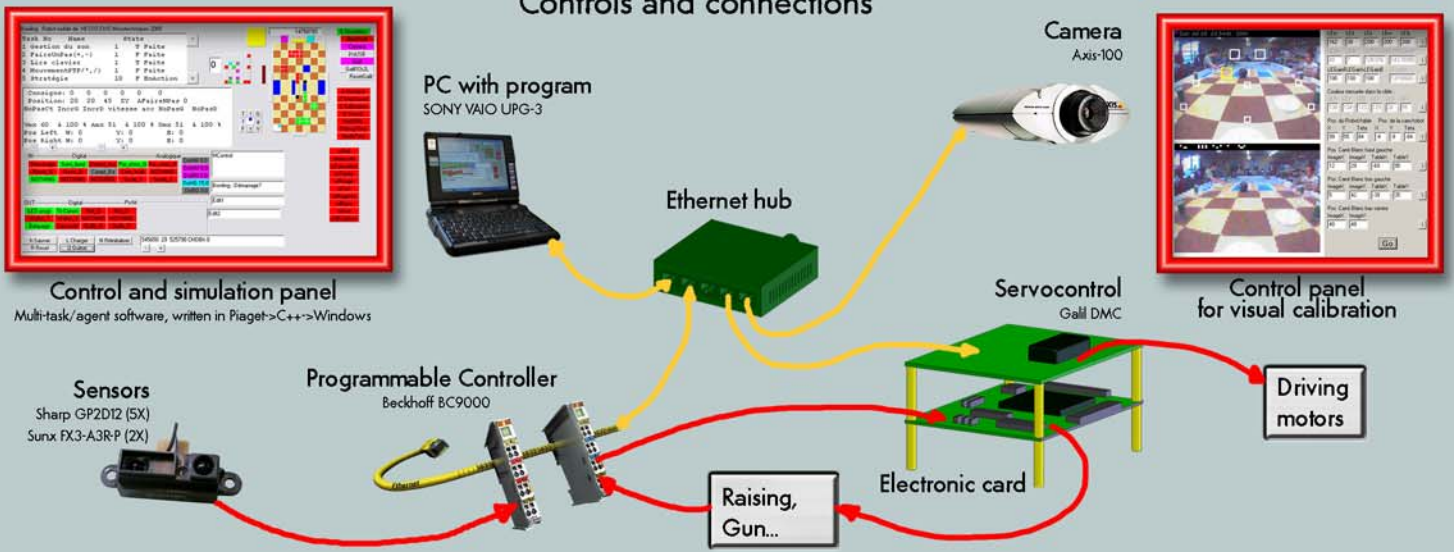


The front bi-directional wheel with dampers.

Wheels :
On the front and on the back of Dude there are 2 passive bi-directional wheels for support. On each side of the robot there are driving wheels, each driven by a 70W DC motor.

Skittle up raising:
At the front of the robot, a belt pushes the skittles on the sides. Magnets fixed on a lifting system raise them upside down. A mechanical stop releases skittles from magnets.

Controls and connections



Walter : Our second robot.
Small, simple and agile, his mission is to knock skittles down on the opposing playground with his deployable 10 cm arms. At the beginning of the match, Walter crosses over the bridge and goes around avoiding obstacles thanks to frontal sensors (tactile and optical). For control, we run PiagetLight on a Beck integrated PC and an originally configured ALTERA FPGA.

Arm deployment

